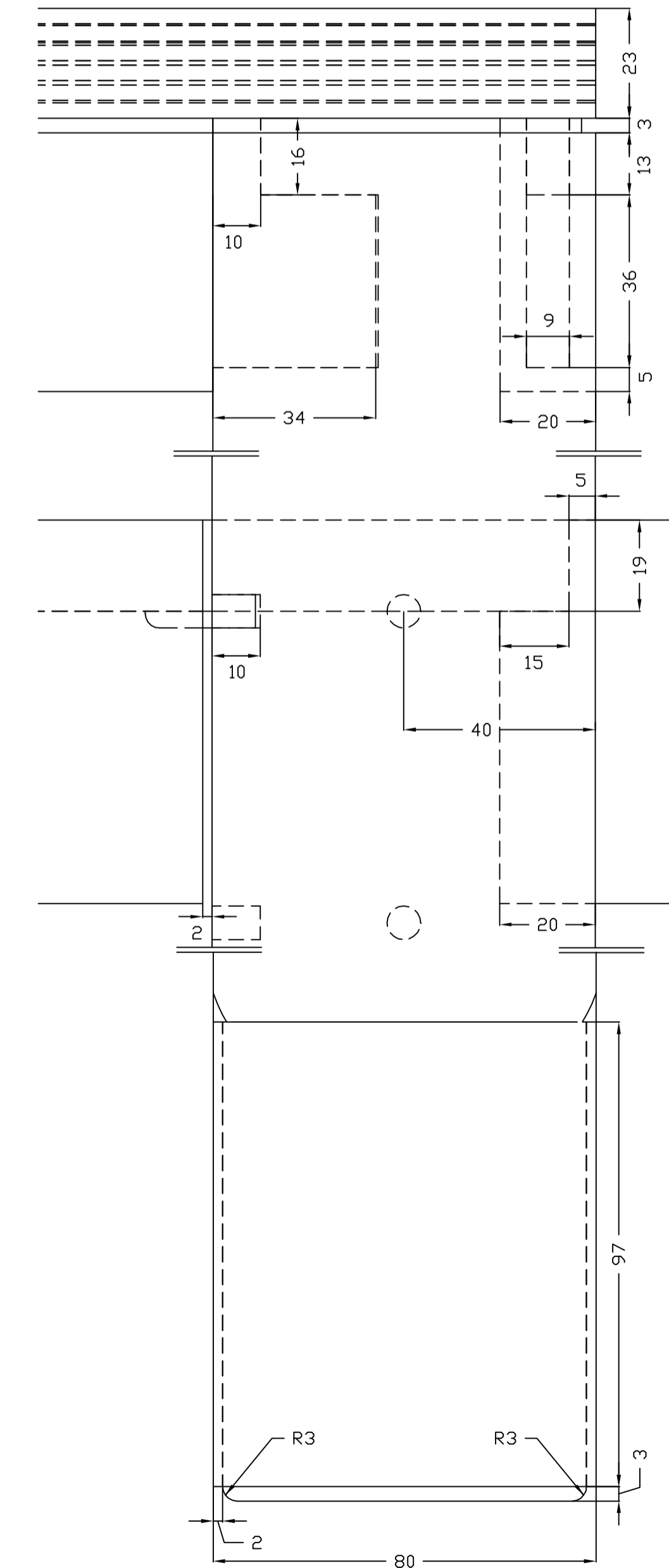
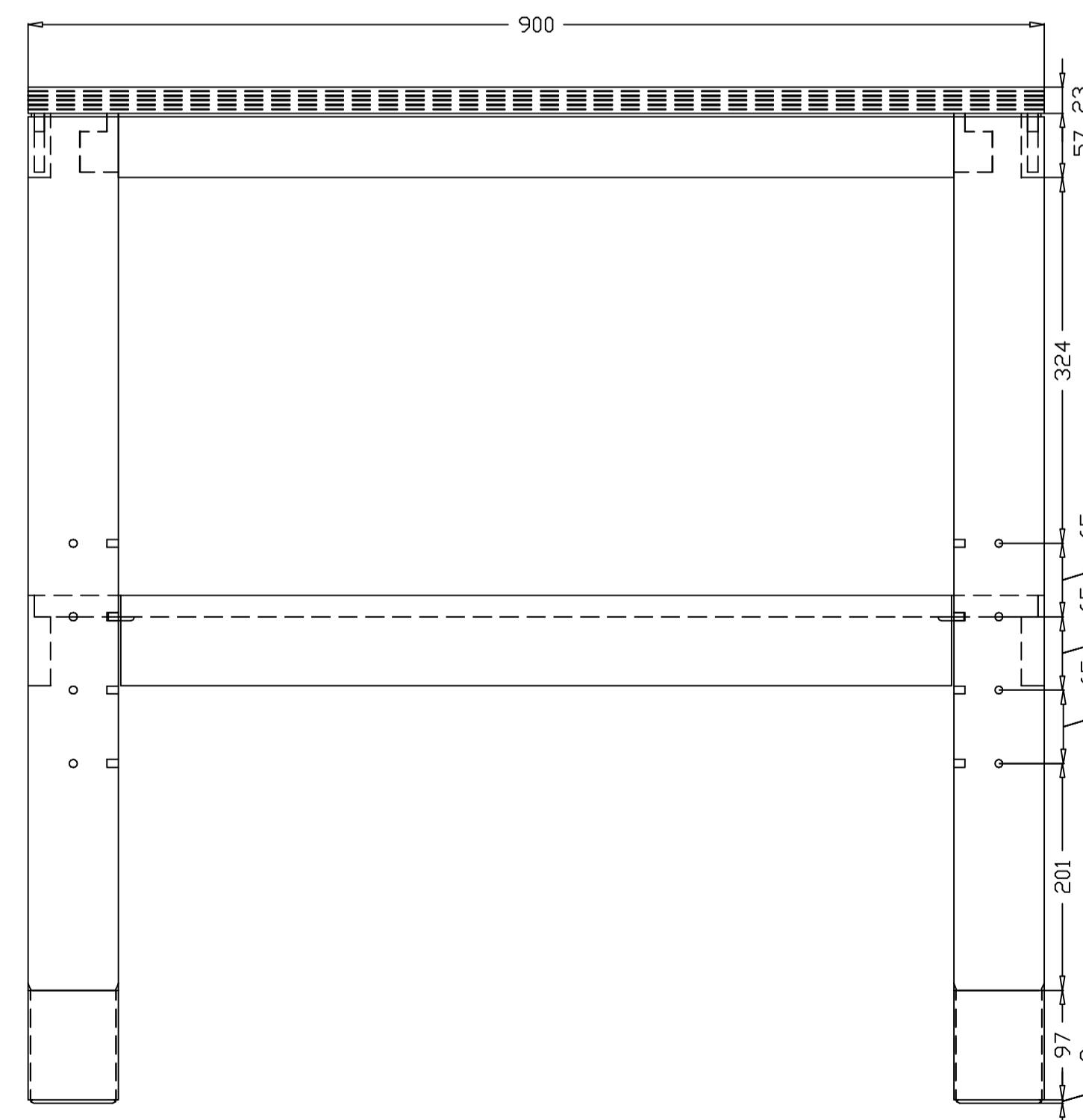
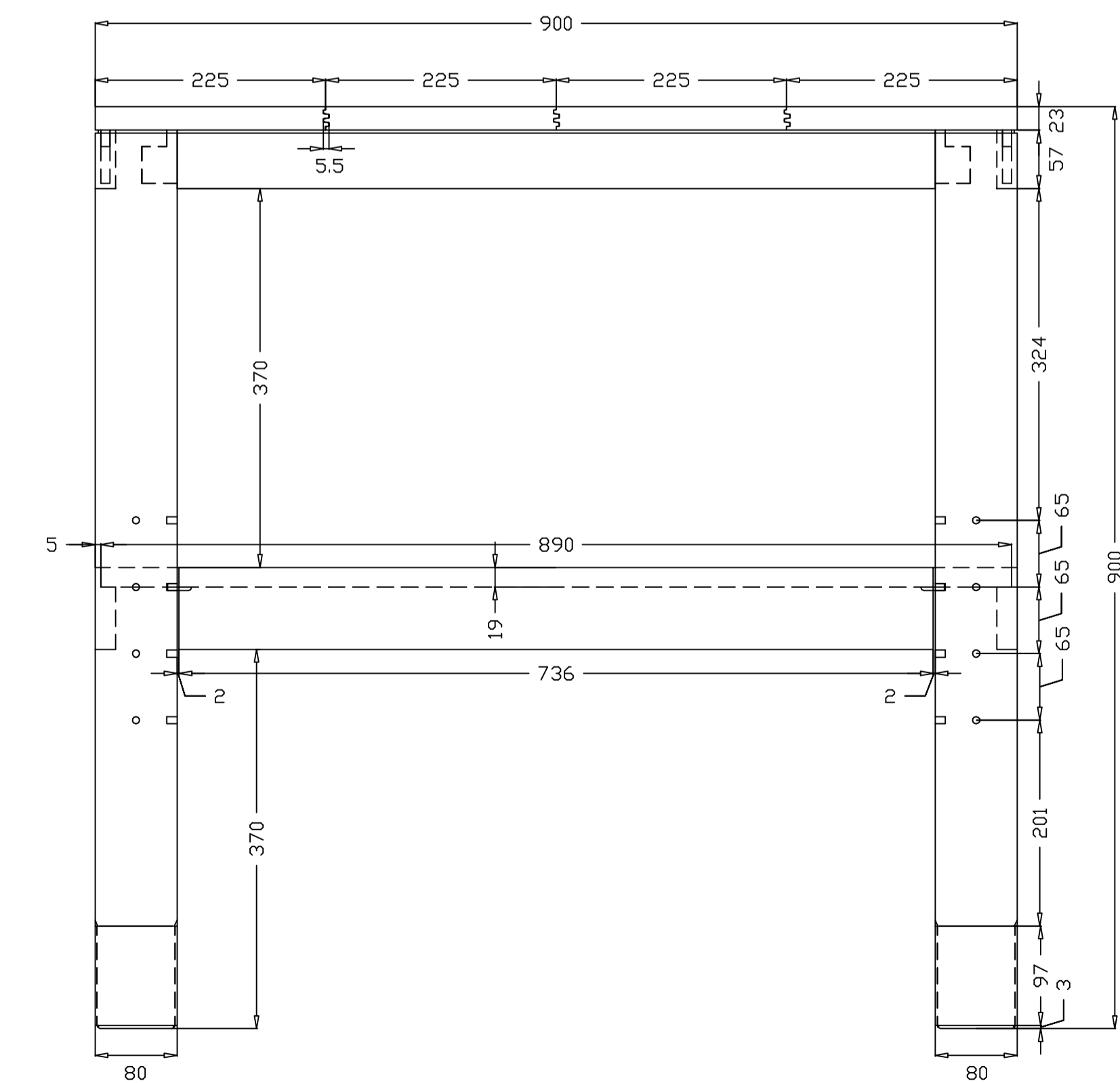
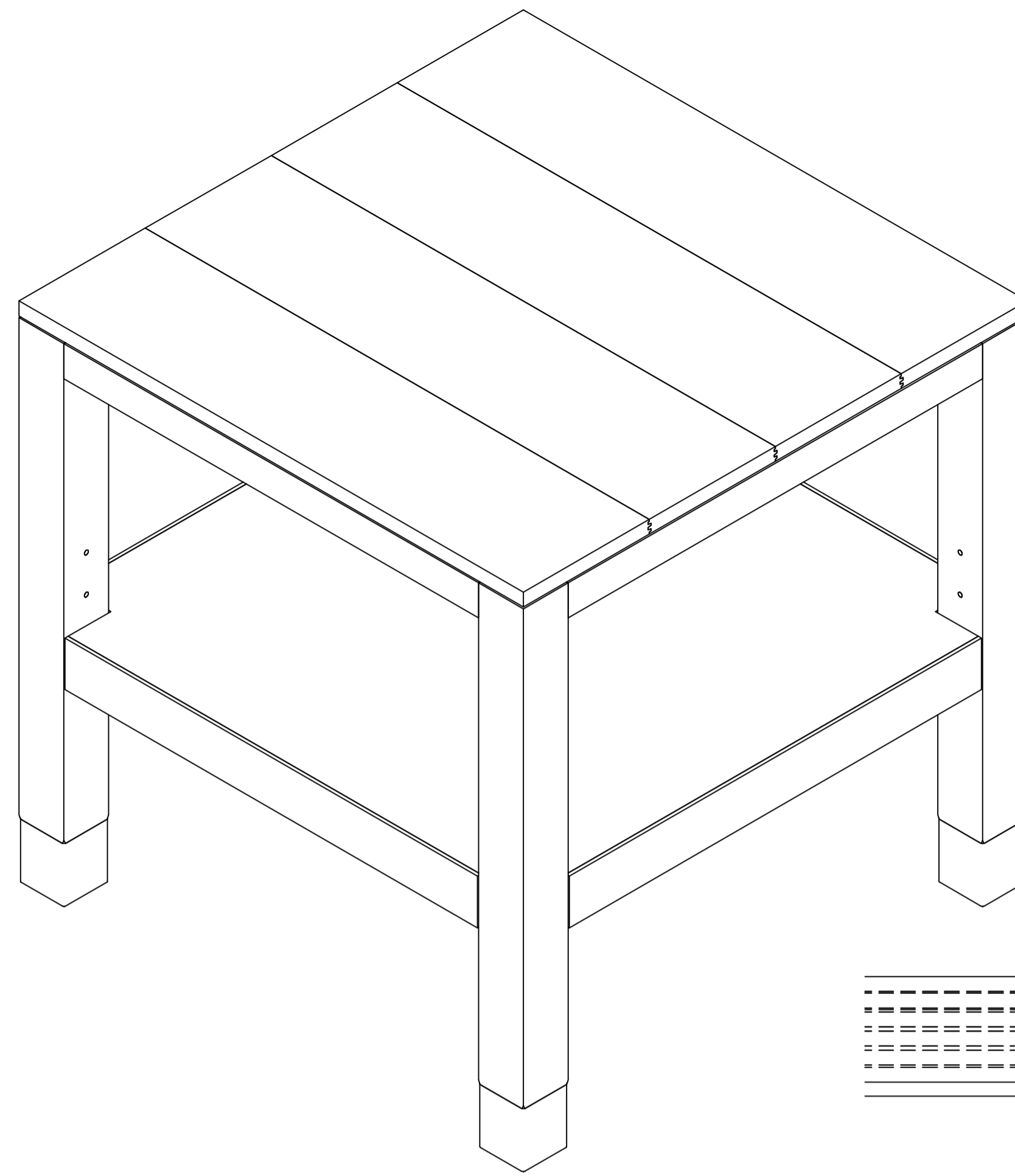
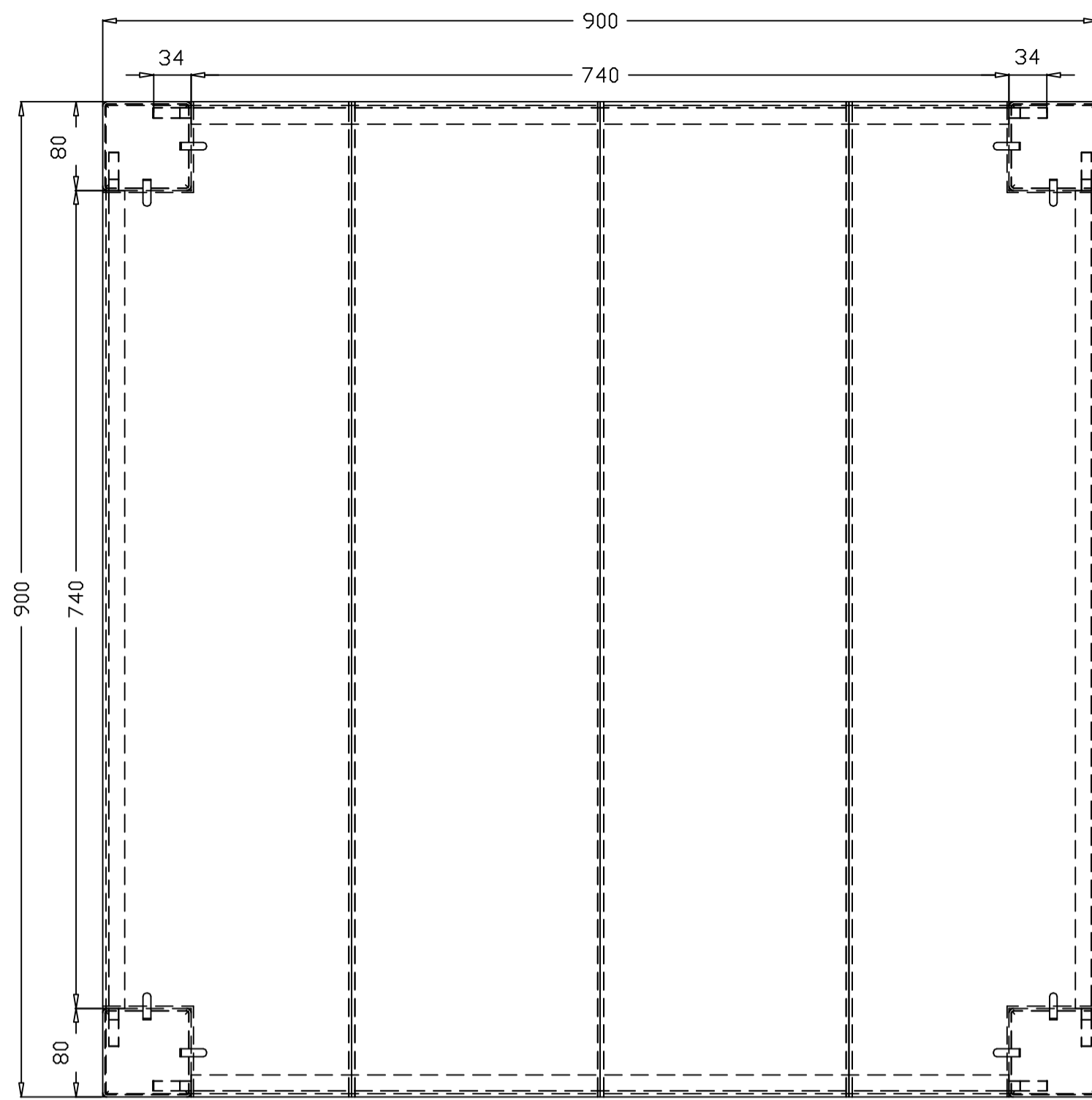
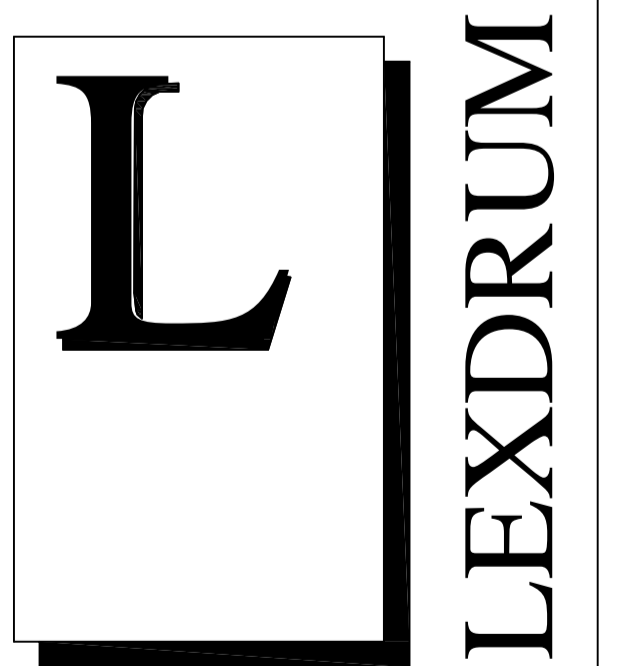


NOTES

- REVISIONS  
 1. 14-10-02 ADJUSTABLE SHELF  
 MOVED TO CENTRAL POSITION



DRAWING TITLE	6c 900 X 900 X 900h TABLE
DRAWING No.	142/02/05
CONTRACT	WOODTON ORGANIC
JOB No	142/02
SCALE	1:5 & 1:1 On A1 Paper
DATE	
DRAWN BY	MARK WYATT
REVISION	1
CUTTING SHEET No	1



structured for  
 excellence  
 KING CHARLES BUSINESS  
 PARK  
 OLD NEWTON ROAD  
 HEATHFIELD  
 DEVON  
 TQ12 6UT

TEL 01626 834077  
 FAX 01626 834667  
 E-MAIL lexdrum@aol.com